

SolarMax Energy Systems

Malawi energy storage power supply



Overview

Malawi constructing first battery-energy storage system to enhance grid resilience against cyclone-related outages. 20-megawatt project backed by Global Energy Alliance for People and Planet and Malawian government, aiming to provide backup power during grid disruptions.

Malawi energy storage power supply



Energy storage malawi

Energy storage malawi Energy storage malawi President Dr. Lazarus Chakwera launched the 20MW Battery Energy Storage System (BESS) Project at Kanengo Sub-station for the ...

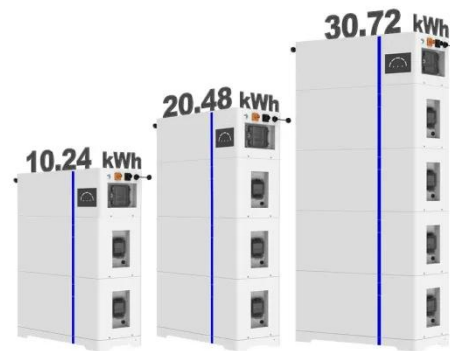
[Get a quote](#)

Malawi's first \$20mn battery energy storage system

The Global Energy Alliance for People and Planet (GEAPP), in partnership with Malawi's government and ESCOM, has launched a \$20 million project to build the country's ...

[Get a quote](#)

ESS



President Chakwera launches Battery Energy Storage System

...

President Dr. Lazarus Chakwera launched the 20MW Battery Energy Storage System (BESS) Project at Kanengo Sub-station for the Electricity Supply Corporation of ...

[Get a quote](#)

Malawi's first \$20mn battery energy storage system

Malawi has taken a significant step towards transforming its energy access and reducing carbon emissions with the launch of a \$20 million Battery Energy Storage System ...

[Get a quote](#)



Malawi energy storage industry

DFC financing is supporting a 20MW solar photovoltaic power plant and battery energy storage system developed by Golomoti JCM Solar Corporation Limited. As the first utility-scale plant in ...

[Get a quote](#)

Grid-Integrated BESS Boosts Power Stability in Malawi

Learn how a grid-integrated Battery Energy Storage System (BESS) enhances power stability in Malawi for a reliable and sustainable energy future.

[Get a quote](#)



Legislation

LEGISLATION Home » Legislation Title Categories Upload Date Download
LIQUID FUELS AND GAS Act 2025 1 140



downloads Legislation April 8, 2025
Download ENERGY REGULATION ...

[Get a quote](#)

Malawi Unveils Africa's First 20MW Battery Storage

The Global Energy Alliance for People and Planet (GEAPP) and the Government of Malawi have launched the construction of a 20 MW battery energy storage system (BESS) ...



[Get a quote](#)



GEAPP, Government of Malawi launch the construction of 20 MW ...

The Malawi BESS project aligns with the COP29 Presidency's Global Energy Storage and Grids Pledge, targeting a sixfold increase in energy storage to 1500GW and ...

[Get a quote](#)

Sovereign signs MOU with ESCOM as World Bank ...

Sovereign Metals Limited has signed a

non-binding Memorandum of Understanding (MOU) with the Electricity Supply Corporation of Malawi ...

[Get a quote](#)



Grid-Integrated BESS Boosts Power Stability in Malawi

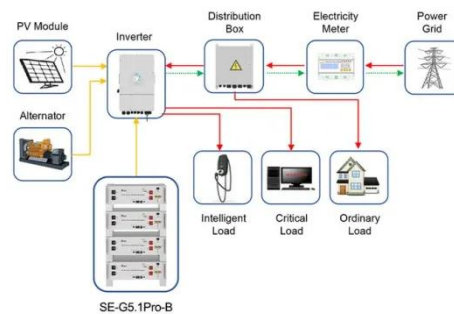
Learn how a grid-integrated Battery Energy Storage System (BESS) enhances power stability in Malawi for a reliable and sustainable ...

[Get a quote](#)

Malawi produces energy storage power

Malawi, Golomoti Solar & BESS -- JCM Power The Golomoti project is Malawi's second solar IPP after JCM's Salima solar project and proudly boasts the first utility-scale grid-connected ...

[Get a quote](#)



Application scenarios of energy storage battery products

Malawi Battery Storage: 2024's Essential Power Solution

The 150 MW BESS facility could serve as a model for Malawi, offering insights into how large-scale battery storage can

address energy security challenges and support the ...

[Get a quote](#)



President Chakwera Launches \$20.2 Million Battery Energy Storage ...

In a significant step towards strengthening Malawi's energy infrastructure, President Lazarus Chakwera on 25 November 2024 Monday morning officially launched the ...



[Get a quote](#)



Malawi To Build Its First Battery-Energy Storage System To ...

Malawi is building its first battery-energy storage system to protect its grid from extreme weather, including cyclones that have repeatedly disrupted power in recent years.

[Get a quote](#)

Launch Of Malawi's 20 Megawatt Battery Energy ...

BESS gives nations like Malawi the opportunity to include the least expensive renewable energy sources, such as wind and solar power, ...

[Get a quote](#)



Outdoor Cabinet BESS
50 kWh/500 kWh Battery Storage System
Industrial and Commercial Energy Storage



-  **All In One**
Integrating battery packs
-  **Intelligent Integration**
Integrated photovoltaic storage cabinet
-  **High-capacity**
50-500kWh
-  **Rated AC Power**
50-100kW
-  **Degree of Protection**
IP54
-  **Altitude**
3000m(>3000m derating)
-  **Operating Temperature Range**
-20~60°C(Derating above 50 °C)

President Chakwera Launches \$20.2 Million Battery ...

In a significant step towards strengthening Malawi's energy infrastructure, President Lazarus Chakwera on 25 November 2024 Monday

...

[Get a quote](#)

STORAGE OF ELECTRICAL ENERGY MALAWI

The roles of electrical energy storage technologies in electricity use 1.2.2 Need for continuous and flexible supply A fundamental characteristic of electricity leads to the utilities' second issue, ...



[Get a quote](#)

Battery Storage for Grid Stability

To maintain and expand its clean energy pathway, Malawi must stabilize its grid and expand generation capacity enough

to serve millions of people, all without turning back to diesel ...

[Get a quote](#)



Malawi

The total installed capacity for power generation in the interconnected grid of Malawi operated by Electricity Supply Corporation of Malawi (ESCOM) is approximately 362 megawatts (MW), of

...

[Get a quote](#)



Electricity reforms in Malawi; Impacts and Consequences

Abstract This paper examined the progress of various reforms carried out in Malawi power sector from 1963 to 2016, their impacts and consequences on the power sector efficiency and ...

[Get a quote](#)



Malawi Builds First Battery System to Strengthen Power Grid

Malawi constructing first battery-energy storage system to enhance grid

resilience against cyclone-related outages. 20-megawatt project backed by Global Energy Alliance for ...

[Get a quote](#)



Building Malawi's First Utility-Scale Solar-Plus ...

The 20 megawatt (MW) Golomoti Solar Project in Malawi is the first of its scale in Southern Africa to include a battery energy storage system, ...

[Get a quote](#)

Malawi To Build Its First Battery-Energy Storage ...

Malawi is building its first battery-energy storage system to protect its grid from extreme weather, including cyclones that have repeatedly ...

[Get a quote](#)



Contact Us

For catalog requests, pricing, or partnerships, please visit:
<https://zenius.co.za>