

SolarMax Energy Systems

Sophia mobile energy storage equipment



Overview

What is Sophia storage?

Sophia is a modern transactional key-value / row storage library. It is designed as a RAM-Disk hybrid storage and is known for providing the best possible on-disk performance without degradation in time. Sophia offers guaranteed O (1) worst case complexity for read, write, and range scan operations.

What is a mobile energy storage system?

An energy storage system contains a large amount of energy stored in a small space, which may make it the target for those who look to cause harm. For this reason, a deployed mobile energy storage system is required to be provided with a fence with a locked gate that keeps the public at least 5 ft (1.5 m) away from the ESS.

Are mobile energy storage systems ready for a 2023 New Year's Day fire?

Mobile energy storage systems are being deployed in jurisdictions around the world, and—as demonstrated by a 2023 New Year's Day mobile energy storage system fire —accidents can happen. We want to make sure communities are prepared for when these systems are deployed in their backyard.

How far can a mobile energy storage system be deployed?

Additional limitations for where a mobile energy storage system can be deployed include a 10 ft (3 m) limitation on how close it can be to various exposures and a 50 ft (15.3 m) limitation on how close it can be to specific structures with an occupant load of 30 or greater.

How far away should a mobile energy storage system be parked?

However, when the mobile energy storage system needs to be parked for more than an hour, it needs to be parked more than 100 ft (30.5 m) away from any occupied building, unless the authority having jurisdiction (AHJ)

approves an alternative in advance. Deployment documents.

Are lithium-ion batteries included in a mobile energy storage standard?

It also goes on to mention that the storage of lithium-ion batteries is included in the scope of the document. The application section then limits the application of the standard to certain-sized mobile energy storage systems.

Sophia mobile energy storage equipment



Mobile energy storage battery

The three main uses of mobile energy storage: First. Power supply for outdoor activities With the rise of outdoor activities, the demand for mobile energy storage as a ...

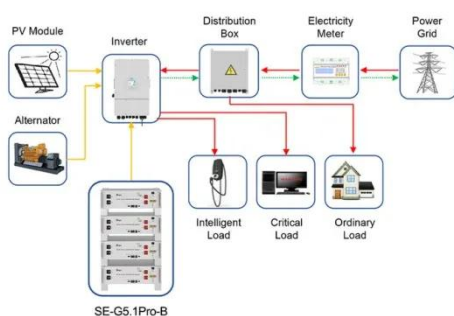
[Get a quote](#)

What is mobile energy storage equipment? , NenPower

Mobile energy storage equipment refers to portable systems designed for the storage and distribution of energy, generally utilizing rechargeable batteries or other energy ...



[Get a quote](#)



Application scenarios of energy storage battery products

Sophia energy storage fire fighting manufacturer

In 2019, EPRI began the Battery Energy Storage Fire Prevention and Mitigation - Phase I research project, convened a group of experts, and conducted a series of energy storage site ...

[Get a quote](#)

Sophia is a manufacturer of

energy storage charging piles

Smart photovoltaic energy storage charging pile is a new type of energy management mode, which is of great significance to promoting the development of new energy, optimizing the ...

[Get a quote](#)



51.2V 300AH

Sophia battery energy storage system supplier

Advanced Lithium-Ion Battery Storage Systems Our lithium-ion storage systems store excess energy generated during the day for use at night or during peak demand periods. Offering fast ...

[Get a quote](#)

GRID-ON-DEMAND

Mobile, zero-emission, silent, and reliable power source to replace diesel generators for backup power and off-grid power solutions. We enable last-mile electrification with commercial-scale ...

[Get a quote](#)



100KW/120kWh Technical Project for Mobile Energy Storage System

This series of energy storage charging system is a charging power supply

equipment with high efficiency and large energy storage capacity, mainly used for new energy vehicles emergency ...

[Get a quote](#)



51.2V 150AH, 7.68KWH

Charging Electric Construction Equipment Onsite with MBESS

As the construction industry shifts toward zero-emissions equipment, one significant challenge remains: recharging electric heavy equipment. Transporting large machines off-site to ...



[Get a quote](#)



Mobile Energy Storage Equipment: Powering the Future On-the-Go

Enter mobile energy storage equipment, the Swiss Army knives of power solutions. These portable systems aren't just backup singers to renewable energy; they're stealing the spotlight ...

[Get a quote](#)

Mobile ESS: New Energy Solutions for Small Commercial and ...

Mobile ESS (mobile battery energy storage system) has emerged as an ideal solution, offering portability, scalability, and cost-effectiveness while reducing environmental ...

[Get a quote](#)



Efficient Higher Revenue

- Max. Efficiency 97.5%
- Max. PV Input Voltage 600V
- 150% Peak Output Power
- 2 MPPT Trackers, 150% DC Input Oversizing
- Max. PV Input Current 15A, Compatible with High Power Modules

Intelligent Simple O&M

- IP66 Protection Degree: support outdoor installation
- Smart I-V Curve Diagnosis Function: locate PV string faults accurately and automatically detect faults
- DC & AC Type II SPD prevent lightning damage
- Battery Reverse Connection Protection

Flexible Abundant Configuration

- Plug & Play, EPS Switching Under 30ms
- Compatible with Lead-acid and Lithium Batteries
- Max. 6 Units Inverters Parallel
- AFCI Function (Optional): when an arc fault is detected the inverter immediately stops operation

Sofia Energy Storage Projects: Powering the Future of Renewable Energy

That's where the Sofia Energy Storage Projects come in - they're basically the Swiss Army knives of the renewable energy world. These grid-scale battery systems are solving one of the clean ...

[Get a quote](#)

Sofia Energy Storage Projects: Powering the Future of ...

That's where the Sofia Energy Storage Projects come in - they're basically the Swiss Army knives of the renewable energy world. These grid-scale battery systems are solving one of the clean ...

[Get a quote](#)



What products are there in mobile energy storage equipment?



The significance of mobile energy storage equipment cannot be overstated. Various products such as portable power stations, battery packs, inverters, and energy management ...

[Get a quote](#)

What are the uses of mobile energy storage systems?

Mobile energy storage systems serve a multitude of purposes, including 1. Providing backup power, which is crucial during outages, 2. Facilitating renewable energy ...

[Get a quote](#)



Mobile Energy Storage , Power Edison

Power Edison partnered with industry leaders and developed our patent-pending TerraCharge(TM) platform built on reliable and proven equipment. Our systems ...

[Get a quote](#)

Mobile Energy Storage , Power Edison

Power Edison partnered with industry leaders and developed our patent-pending TerraCharge(TM) platform built

on reliable and proven equipment. Our systems serve utilities, ...

[Get a quote](#)



Mobile Energy Storage Systems



An energy storage system contains a large amount of energy stored in a small space, which may make it the target for those who look to cause harm. For this reason, a ...

[Get a quote](#)

Power on the Move: Transforming Small Commercial and Industrial Energy

By assessing load profiles, selecting appropriate capacity and power, integrating charging sources, and ensuring safety and monitoring, businesses can deploy portable energy ...

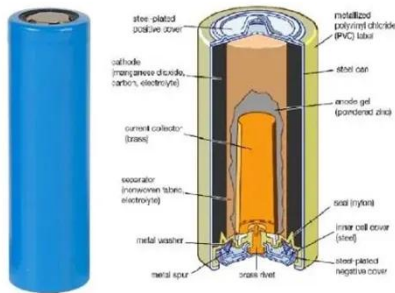
[Get a quote](#)



**112 S DIXIE HWY owned by
SOPHIA ENERGY LLC**

Property Details This property is classified as Commercial (Auto sales, auto repair and storage, auto service shops, body and fender shops, commercial garages, farm and machinery sales ...

[Get a quote](#)



Mobile Energy Storage Systems

When looking at how a mobile energy storage system works, we break its use down into three phases: the charging and storage phase, the in-transit phase, and the ...

[Get a quote](#)



Mobile Energy Storage: The Power Grid's New Secret Weapon

Mobile energy storage systems are revolutionizing how Illinois homeowners and businesses interact with the power grid. By combining advanced battery technology with smart ...

[Get a quote](#)



What products are there in mobile energy storage ...

The significance of mobile energy

storage equipment cannot be overstated. Various products such as portable power stations, battery packs, ...

[Get a quote](#)



XIAOFU , Mobile EV Charging Solutions Provider

Xiaofu Power EV mobile charger Our current main product is Mobile charging system and electric car emergency charger with built-in lifepo4 batteries. In ...

[Get a quote](#)

Power on the Move: Transforming Small Commercial and ...

By assessing load profiles, selecting appropriate capacity and power, integrating charging sources, and ensuring safety and monitoring, businesses can deploy portable energy ...

[Get a quote](#)



48V 100Ah

Mobile Energy Storage: Power on the Go



Mobile energy storage systems can be classified into various categories, connecting energy generation with consumption. They store surplus energy during peak ...

[Get a quote](#)

Contact Us

For catalog requests, pricing, or partnerships, please visit:
<https://zenius.co.za>