

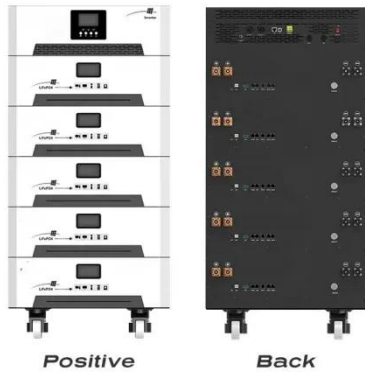
## SolarMax Energy Systems

# Suriname Energy Storage Photovoltaic



## Suriname Energy Storage Photovoltaic

---



### Suriname's Energy Crossroads: How PV Storage Prices Are ...

Current market rates for complete solar-plus-storage installations in Suriname range from \$1.20/W to \$2.80/W, depending on scale and technology. But wait, no - that's just the hardware!

[Get a quote](#)

---

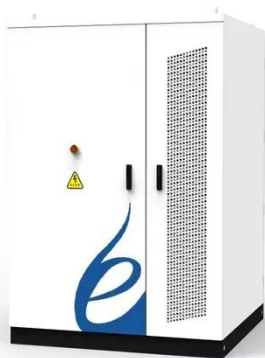
### Suriname starts building hybrid solar microgrids to power 25 villages

PowerChina is building three hybrid solar microgrids in Suriname, combining solar panels, energy storage, and diesel backup to power 25 remote villages across the country.



[Get a quote](#)

---



### Photovoltaic storage Suriname

Over the past decade, global installed capacity of solar photovoltaic (PV) has dramatically increased as part of a shift from fossil fuels towards reliable, clean, efficient and sustainable ...

[Get a quote](#)

---

## Suriname begins construction of three hybrid solar plants to ...

...

Construction of three hybrid solar power plants in Suriname is underway to supply 25 villages with electricity. The plants, located in Daume, Cajana, and Galibi, will combine ...

[Get a quote](#)



## POWERCHINA constructs photovoltaic project in Suriname

The second phase of the Suriname Village Microgrid Photovoltaic Project is an off-grid microgrid project that combines photovoltaic, energy storage, and diesel generation hybrid ...

[Get a quote](#)

## Owner's engineer for photovoltaic battery storage and diesel ...

Suriname relies on imported diesel fuel to provide power to its rural towns and communities. To reduce fuel consumption and noise emissions from diesel power plants, Fichtner conducted a ...

[Get a quote](#)



## POWERCHINA Lights Up Suriname with First Phase ...



The project will provide more people in remote villages with an uninterrupted 24-hour power supply. The second phase of the Suriname ...

[Get a quote](#)

---

## Suriname household energy storage battery

High - Efficiency Photovoltaic Panels Our photovoltaic panels are at the forefront of solar technology. With advanced cell designs and high - quality materials, they offer exceptional ...



[Get a quote](#)



## Suriname develops energy storage project

High - Efficiency Photovoltaic Panels Our photovoltaic panels are at the forefront of solar technology. With advanced cell designs and high - quality materials, they offer exceptional ...

[Get a quote](#)

---

## Suriname energy storage charging pile models

The main goal of this article is to find a solution of a hybrid energy system, gathering wind and photovoltaic energy,

and an energy storage system that can reduce the energy production ...

[Get a quote](#)



## Suriname starts building hybrid solar microgrids to ...

PowerChina is building three hybrid solar microgrids in Suriname, combining solar panels, energy storage, and diesel backup to power 25 ...

[Get a quote](#)

## Suriname begins construction of three hybrid solar ...

Construction of three hybrid solar power plants in Suriname is underway to supply 25 villages with electricity. The plants, located in Daume, ...

[Get a quote](#)



## Suriname PV Microgrid Provides Power to Remote ...

In 2019, POWERCHINA initiated the first phase of the Suriname village PV microgrid project. This endeavour

involves designing, procuring and ...

[Get a quote](#)



---

## Suriname PV Microgrid Provides Power to Remote Villages

In 2019, POWERCHINA initiated the first phase of the Suriname village PV microgrid project. This endeavour involves designing, procuring and constructing a system ...

[Get a quote](#)



---

## Suriname new energy storage planning

Can Suriname use wind energy? The IDB supports the elaboration of a wind atlas for the coastal area, which will assess the feasibility of using wind energy in Suriname. The new operation will ...

[Get a quote](#)

---

## First phase of Suriname photovoltaic project delivered

The project includes the design, supply

and construction of 650-kilowatt photovoltaic systems and 2.6MWh energy storage systems. The microgrid integrates distributed energy sources, energy ...

[Get a quote](#)



## Suriname photovoltaic power station energy storage capacity ...

Optimal capacity configuration of the wind-photovoltaic-storage ... Reasonable capacity configuration of wind farm, photovoltaic power station and energy storage system is ...

[Get a quote](#)

## Off-grid Renewable Energy Solutions in Rural Suriname

Even though Suriname has no emissions reductions targets, increasing solar energy uptake is seen as a way to increase the electrification rate and achieve national renewable energy targets.

[Get a quote](#)





**12.8V6Ah**

- Nominal voltage (V):12.8
- Nominal capacity (ah):6
- Rated energy (WH):76.8
- Maximum charging voltage (V):14.6
- Maximum charging current (a):6
- Floating charge voltage (V):13.6-13.8
- Maximum continuous discharge current (a):10
- Maximum peak discharge current @10 seconds (a):20
- Maximum load power (W):100
- Discharge cut-off voltage (V):10.8
- Charging temperature (°C):-20--+50
- Discharge temperature (°C):-20--+60
- Working humidity: <95% R.H (non condensing)
- Number of cycles (25 °C, 0.5c, 100%doD): >2000
- Cell combination mode: 32700-4s1p
- Terminal specification: T2 (6.3mm)
- Protection grade: IP65
- Overall dimension (mm):50\*70\*107mm
- Reference weight (kg):0.7
- Certification: un38.3/msds

## Suriname energy storage project 2025



Suriname energy storage project 2025  
The second phase of the Suriname Village Microgrid Photovoltaic Project is an off-grid microgrid project that combines photovoltaic, energy ...

[Get a quote](#)

## suriname photovoltaic energy storage equipment

How to install photovoltaic energy storage system in 4 steps Installing a home photovoltaic energy storage system requires certain professional knowledge and skills to ensure the safe operation ...

[Get a quote](#)



## Suriname Photovoltaic Energy Storage Construction Powering a

That's Suriname's energy paradox - and it's why photovoltaic energy storage construction has become a hot topic. With 90% of its territory covered by rainforest, this South American nation ...

[Get a quote](#)

## Suriname photovoltaic energy storage device price inquiry



The second phase of the Suriname Village Microgrid Photovoltaic Project is an off-grid microgrid project that combines photovoltaic, energy storage, and diesel generation hybrid energy.

[Get a quote](#)



Photo courtesy of SolarMax Energy Systems

## First phase of Suriname photovoltaic project delivered

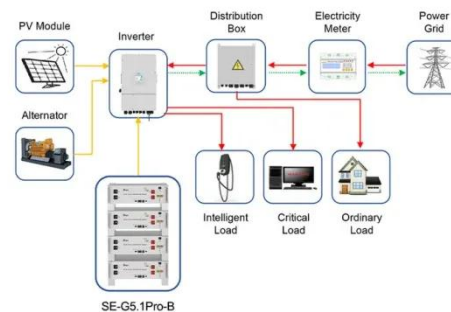
The project includes the design, supply and construction of 650-kilowatt photovoltaic systems and 2.6MWh energy storage systems. The microgrid ...

[Get a quote](#)

## ENERGY PROFILE SURINAME

What is the price of installing photovoltaic energy storage? What happens to solar power when batteries are full? Once your solar battery is full, it will stop storing electricity from your solar ...

[Get a quote](#)



Application scenarios of energy storage battery products

## SURINAME ENERGY COUNTRY PROFILE

The country's first large-capacity centralized energy storage. The Fulín sodium-ion battery energy storage.



station was launched in Nanning, South China's Guangxi Zhuang Autonomous ...

[Get a quote](#)

---

## Suriname's New Energy Storage Power Station: Powering a ...

Suriname's approach flips the script. Instead of massive centralized systems, they're testing modular storage units that can be deployed near remote communities. Think of ...



[Get a quote](#)

---

## Contact Us

For catalog requests, pricing, or partnerships, please visit:  
<https://zenius.co.za>